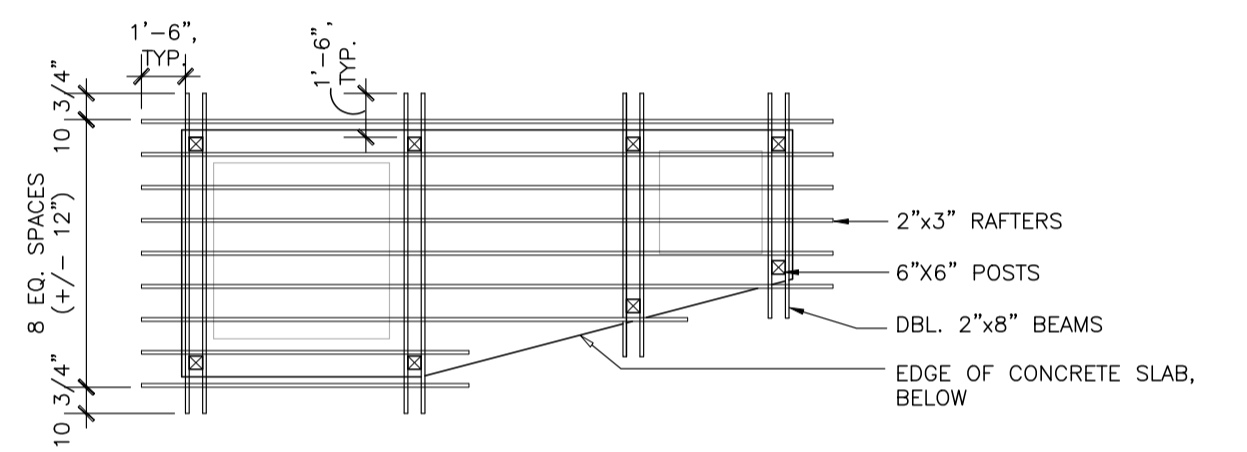
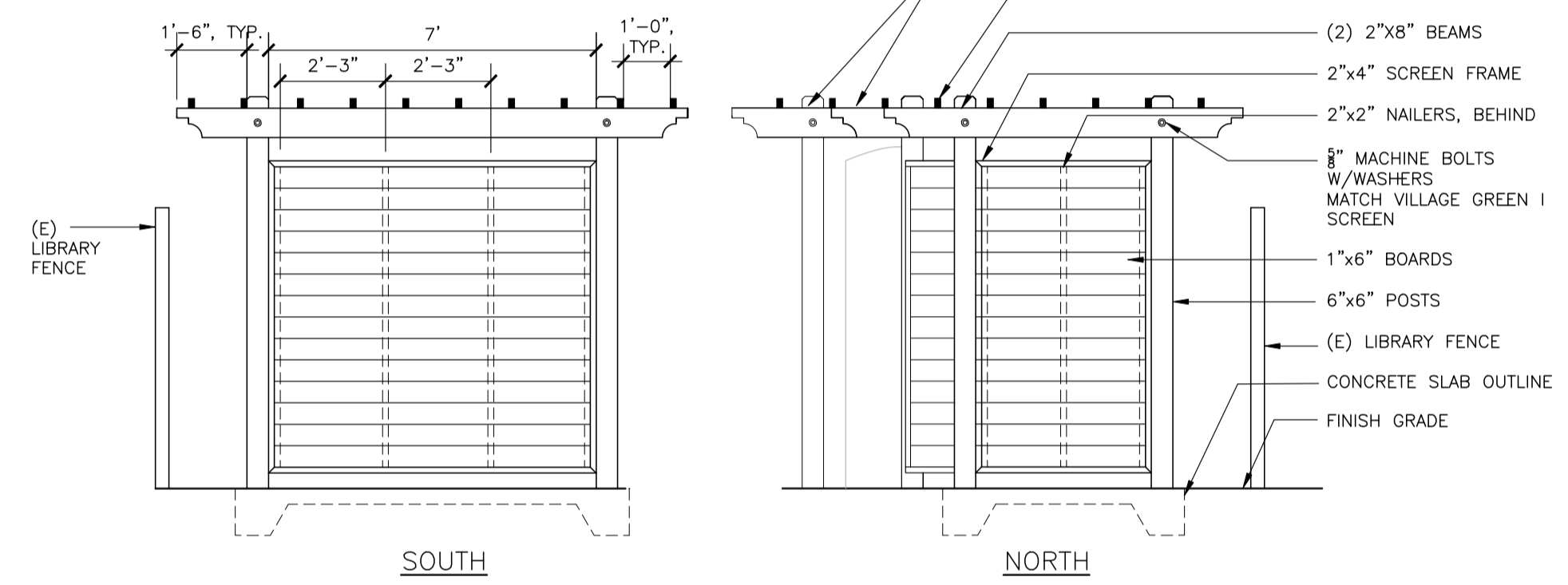
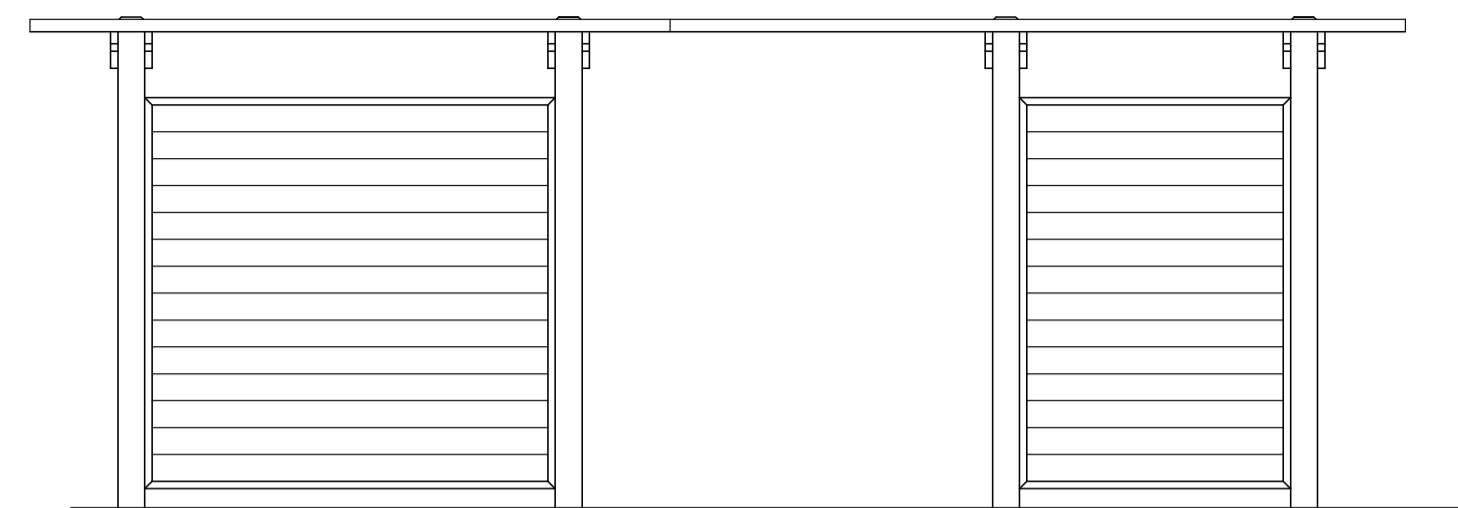


PLAN
1/4" = 1'-0"
3 FOUNDATION PLAN

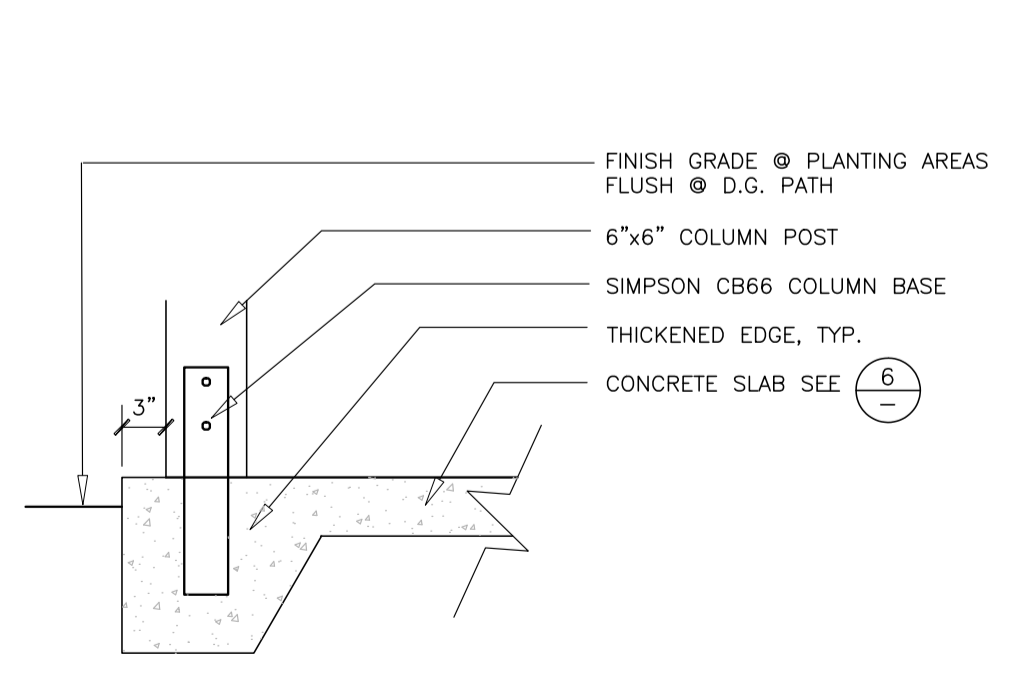


PLAN
1/4" = 1'-0"
4 ARBOR

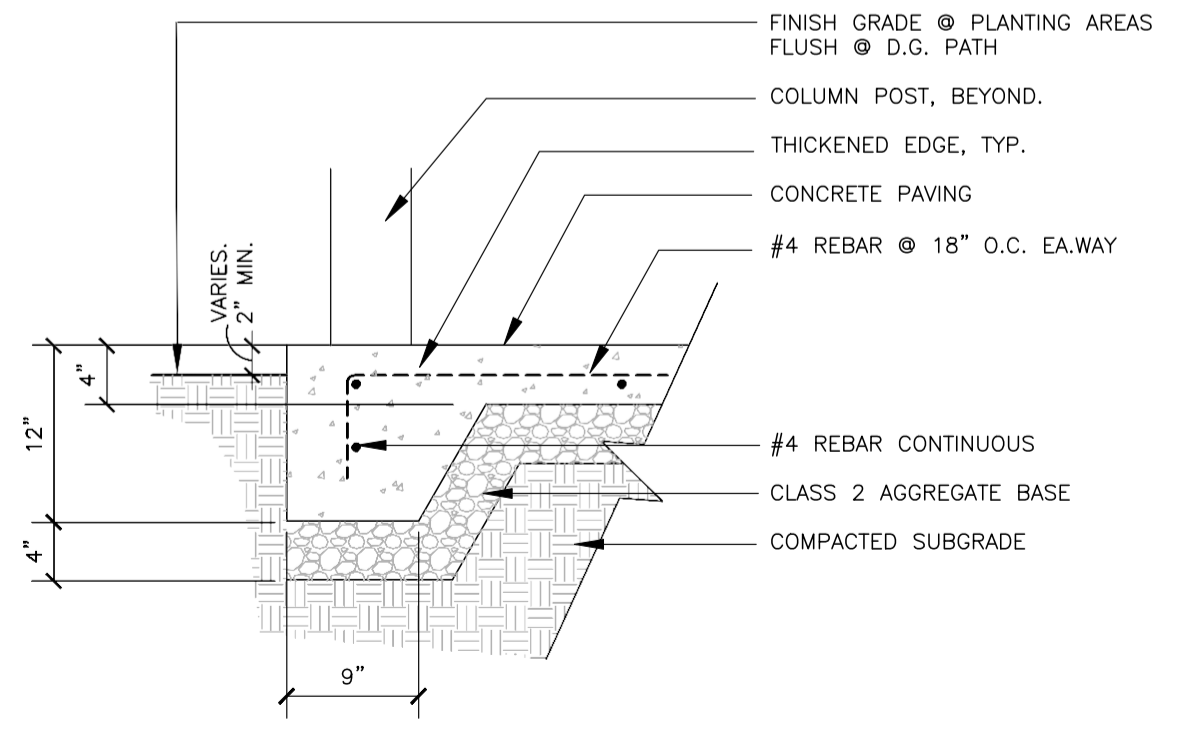
NOTE:
FOR POST LAYOUT SEE (3)
FOR ARBOR ELEVATIONS SEE (1)



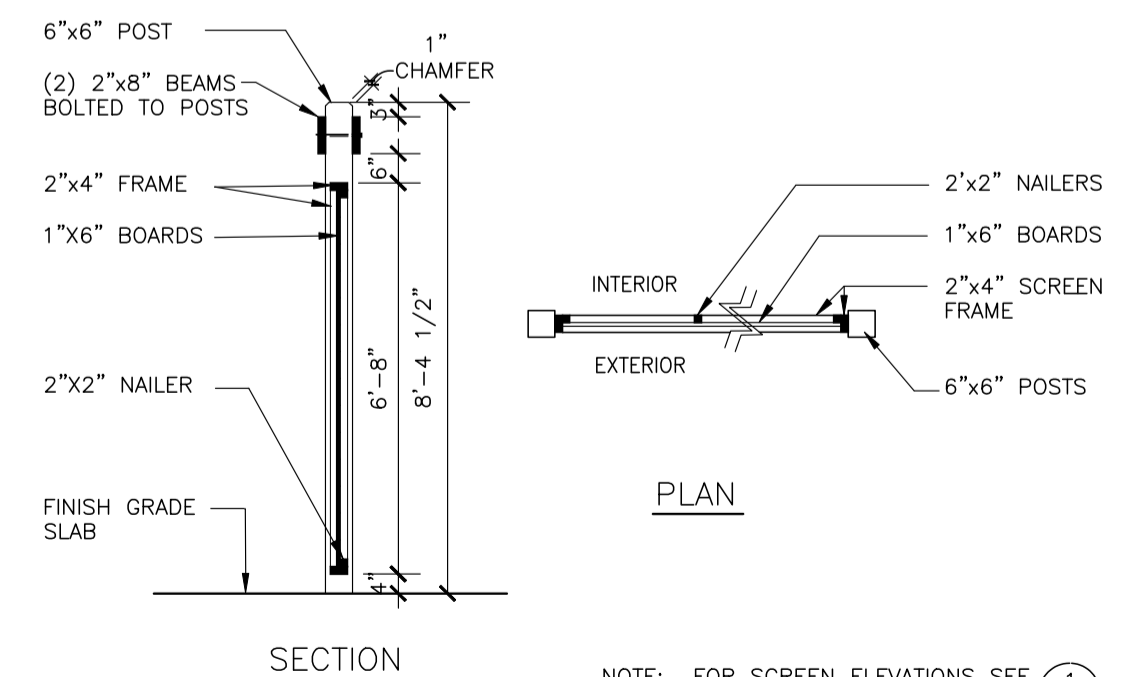
1 SCREEN ELEVATIONS
1/2" = 1'-0"



SECTION
1 1/2" = 1'-0"
5 POST CONNECTION



SECTION
1 1/2" = 1'-0"
6 CONCRETE SLAB



2 SCREEN
1/2" = 1'-0"

NOTE: FOR SCREEN ELEVATIONS SEE (1)



CONSULTANT:

PROJECT TEAM:

PROJECT TITLE:

VILLAGE GREEN II
STINSON BEACH, CA
CSA 33

SHEET TITLE:

RESTROOM
SCREEN ELEVATIONS

DATE	REVISION

STAMP

NOT FOR CONSTRUCTION

DRAWN BY	NP
CHECKED BY	NP
DATE	04/07/16
SCALE	AS NOTED